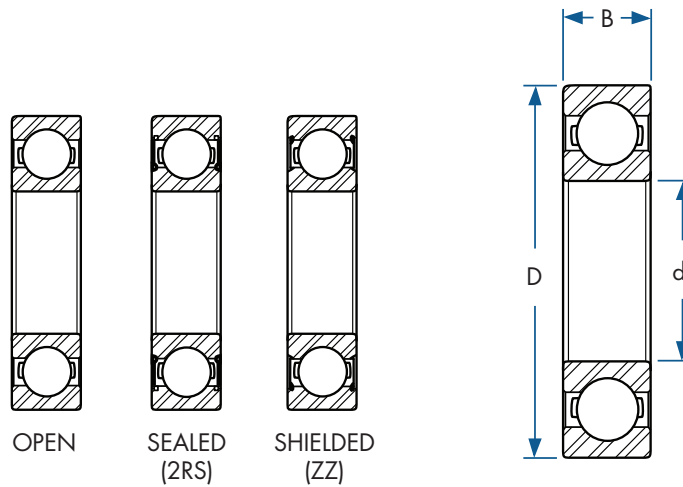


6300 Series



Bearing Size	Dimensions (mm)			Load Rating (lbs)		Limiting Speed (RPM)		
				Dynamic	Static	Grease		Oil
	d	D	B	Cr	Cor	2RS	ZZ/OPEN	OPEN
6300	10	35	11	1,830	780	16,000	22,000	27,000
6301	12	37	12	2,190	950	15,000	20,000	25,000
6302	15	42	13	2,570	1,230	12,000	17,000	20,000
6303	17	47	14	3,060	1,470	10,000	15,000	18,000
6304	20	52	15	3,580	1,770	9,500	14,000	17,000
6305	25	62	17	4,750	2,460	7,500	11,000	13,000
6306	30	72	19	6,700	3,800	6,400	9,600	12,000
6307	35	80	21	7,510	4,300	5,700	8,500	10,000
6308	40	90	23	9,150	5,400	5,100	7,700	9,200
6309	45	100	25	11,900	7,200	4,500	6,800	8,100
6310	50	110	27	13,900	8,620	4,100	6,100	7,300
6311	55	120	29	16,100	10,120	3,700	5,600	6,700
6312	60	130	31	18,420	11,700	3,500	5,200	6,200
6313	65	140	33	20,800	13,400	3,200	4,800	5,800
6314	70	150	35	23,380	15,300	3,000	4,500	5,400
6315	75	160	37	25,500	17,400	2,800	4,200	5,000
6316	80	170	39	27,600	19,500	2,700	3,900	4,700
6317	85	180	41	29,800	21,800	2,500	3,700	4,400
6318	90	190	43	32,000	24,100	2,400	3,500	4,200
6319	95	200	45	34,500	26,600	2,200	3,300	4,000
6320	100	215	47	39,000	31,500	2,100	3,000	3,600
6321	105	225	49	41,500	34,500	2,000	2,900	3,500
6322	110	240	50	46,000	40,470	1,900	2,700	3,200
6324	120	260	55	46,500	41,500	1,800	2,500	3,000
6326	130	280	58	51,490	48,000	1,600	2,300	2,700
6328	140	300	62	57,000	55,500	1,500	2,100	2,500